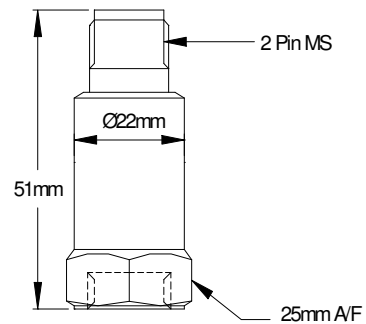




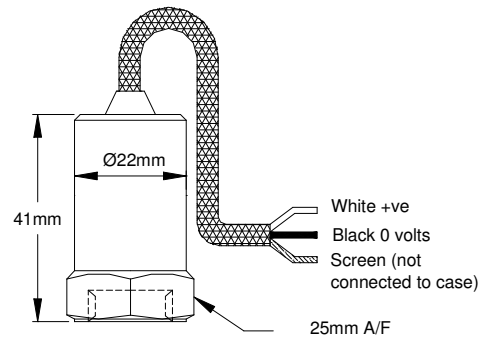
Velocity Transducer CV 160

APPLICATIONS

- Data-collector
- Turbines
- Pumps, fans, etc.
- Heavy industry
- Paper machinery
- Machine tools



Connector (CT)



Integral-Cable (AT)

TECHNICAL SPECIFICATION

Sensitivity	4 mV/mm/sec $\pm 5\%$
Velocity Range	1200 mm/s peak
Frequency Response	5 Hz to 4 kHz $\pm 5\%$ (-3 dB at 1.5 Hz)
Mounted Base Resonance	18 kHz (nominal)
Isolation	Base isolated
Transverse Sensitivity	Less than 5%
Electrical Noise	0.3 mg max
Current Range	0.5 mA to 8 mA
Temperature Range	-25 to +140 °C
Bias Voltage	12 Volts DC (nominal)
Case Material	Stainless steel
Mounting Torque	8 Nm
Weight	110 g (nominal) without cable
Sealing	IP 67
Humidity	max 100%
Maximum Cable Length	1000 metres
Protected	Polarity
Options	Integral cable, filters, various connector assemblies and other sensitivities

ORDERING INFORMATION

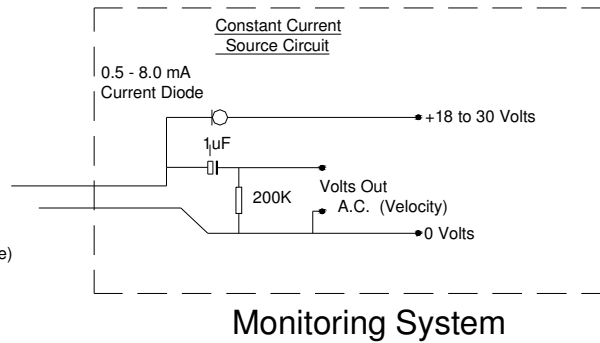
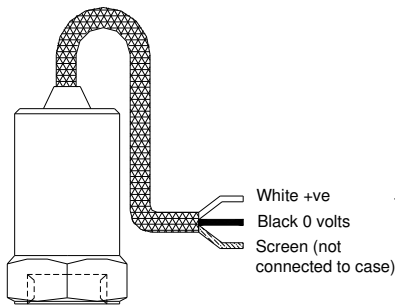
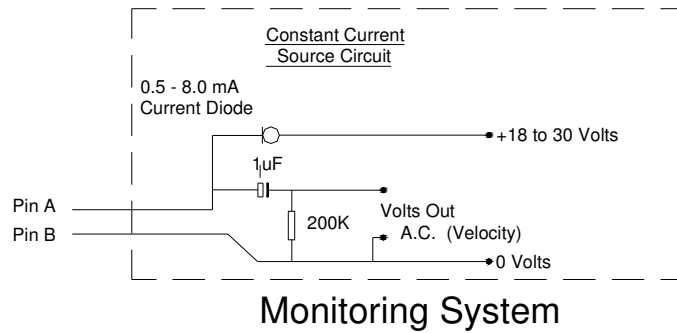
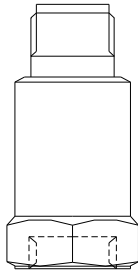
		Sensitivity mV / mm/s	Connection	Mounting
VMD	160	4 mV/mm/sec	AT (Armed cable top)	S Standard 1/4" UNF female
			CT (Connector top)	

ORDERING CODE

PNR VMD 160-4-AT-S AT Armed cable top
 PNR VMD 160-4-CT-S CT Connector top

Remarks (AT): integral cable PTFE with stainless steel overbraided,
 standard length 5m , diameter 4mm

System Connection



Mounting Adapters and Studs

Studs



Adapters	
From	To
1/4" - 28 UNF	M8 x 1.25
1/4" - 28 UNF	1/4" - 28 UNF

Sales Offices

MEGGITT Sales Office
found on our webpage
www.meggitt.com

Your local representative

MEGGITT GmbH

Kaiserleistraße 51
D-63067 Offenbach am Main
Deutschland / Germany
Tel.+49 (0) 69 9799050
Fax +49 (0) 6997990526
E-Mail: info@meggitt.de
www.meggitt.de

