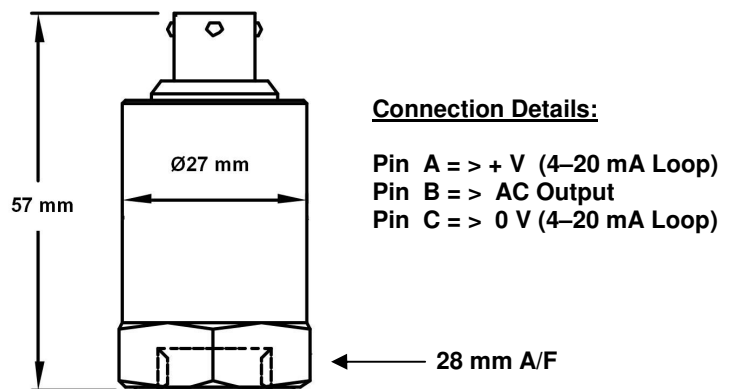
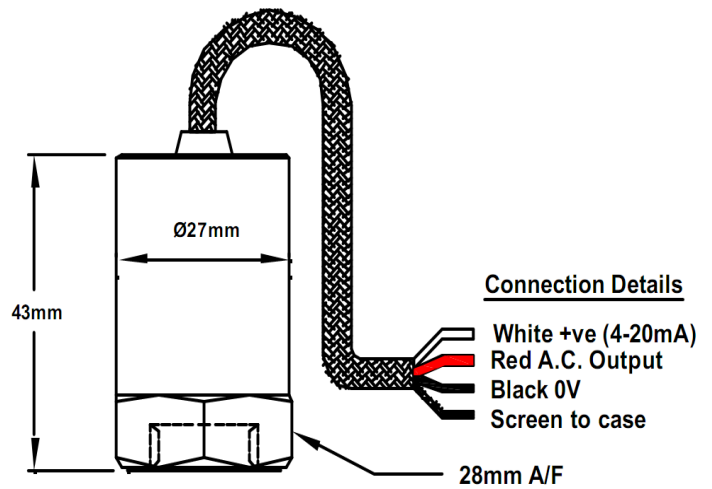




# Loop powered Accelerometer Dual Output Accelerometer for PLC Interface & Data Collection

## APPLICATIONS

- Air handling units
- Building services
- Fans, pumps



**TECHNICAL SPECIFICATION**

Current Output	4-20mA proportional to RMS velocity (mm/s)
AC Output	AC voltage proportional to acceleration (g)
Frequency Response	2 Hz to 1 kHz $\pm 10\%$ -3 dB at 0.8Hz for AC output
Measurement Range	See table below
Dynamic Range	30g peak for 100mV/g: 60g peak for 50mV/g
Mounted Resonance	5 kHz min
Bias Voltage (AC output)	3 Volts
Isolation	Base isolated
Operating Temp Range	-25 to 90 °C
Temperature Sensitivity	0.08%/°C
Transverse Sensitivity	Less than 5%
Supply Voltage	12-32 Volts DC (4-20 mA)
Standard Cable	5 metres armoured PTFE
Case Material	Stainless steel
Weight	150 gms (nominal)
Sealing	IP67
Mounting Torque	8 Nm
Mating Connector	3 pin 62 GB for CT connection
Options	Ranges, connector, side exit cable, filters, mounting threads, other cable lengths, high temperatures.

**Ordering Information**

		Range in mm/sec	Connection	output	Mounting
<b>VMD</b>	<b>186</b>	10 (100 mV/g)	<b>AT</b> (armoured Cable top)	<b>CA</b> (Analogue mA +mV/g)	<b>S</b> (Standard M8)
		<b>20 (100 mV/g)</b>	<b>CT</b> (Connector top)		
		25 (100 mV/g)			
		50 ( 50 mV/g)			
		100 ( 50 mV/g)			

Standard Options highlighted

**Mounting Accesories**

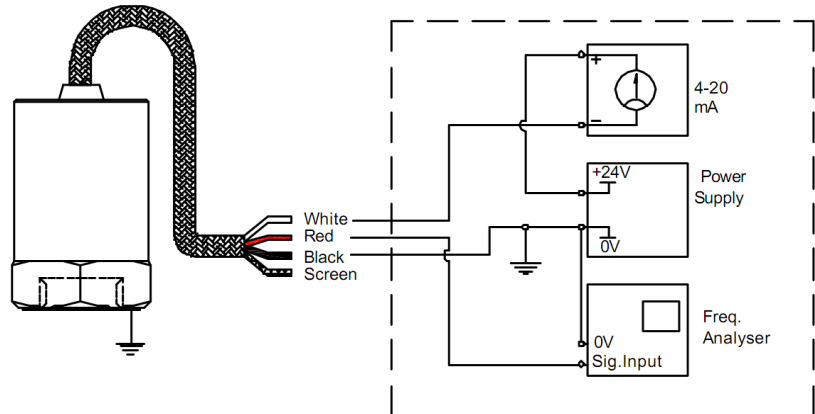
Studs and Grub Screws



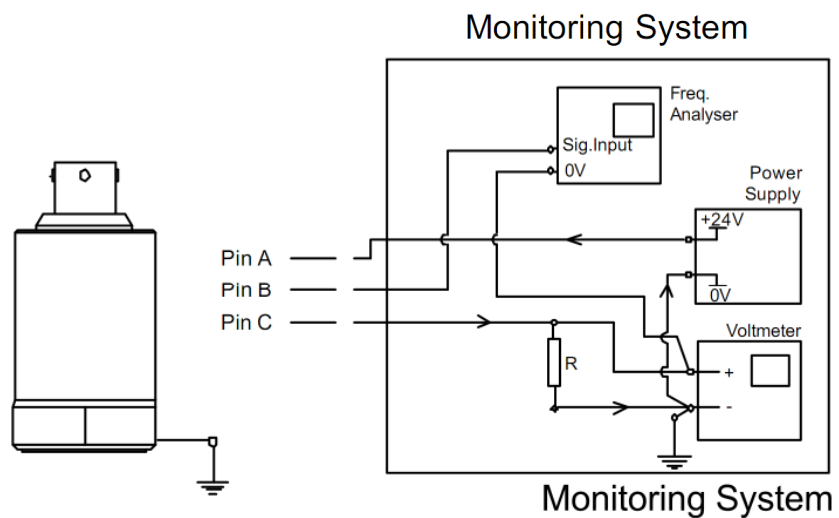
Male Studs		
Product Code	From	To
MS067	1/4" - 28 UNF	M8 x 1,25
MS068	1/4" - 28 UNF	1/4" - 28 UNF

## System Connection

Cable Version (AT)



Connector Version (CT)



**Notes:**  $R_{max} = 50(V_{supply} - 12)$

To avoid spurious signals the body of the sensor must be grounded by the machine or by a grounded connector shell. The monitoring system 0V should also be grounded.

### Sales Offices

Vibro-Meter has offices in over 30 countries. The complete list can be found on our webpage [www.vibro-meter.com](http://www.vibro-meter.com)

vibro-meter  
zertifiziert durch



### Your local representative

### Vibro-Meter GmbH

Kaiserleistraße 51  
63067 Offenbach am Main  
Deutschland / Germany

Tel. +49 (0) 69 9799050  
Fax +49 (0) 6997990526  
E-Mail: [info@vibro-meter.de](mailto:info@vibro-meter.de)  
[www.vibro-meter.de](http://www.vibro-meter.de)

**MEGGITT**  
smart engineering for  
extreme environments