



Proximity Transducer U 40

Description

These transducers are used with the converter or transmitter for the contactless measurement of the relative displacement, the shaft vibration and speed of moving machine elements such as those found in steam turbines, gas turbines, generators, turbo compressors, pumps, etc. Measurements are made according to the eddy-current principle.

Specifications

Temperature range:- 20 bis +145° C

Linear measuring range:.....4 to 44mm

Casing material:Peek and Stainless steel 1.4305

Integral Cable:Triax-Tefloncable; 2,9 mm Diameter with Triax-Connector

Cable lenght:3 or 6 m

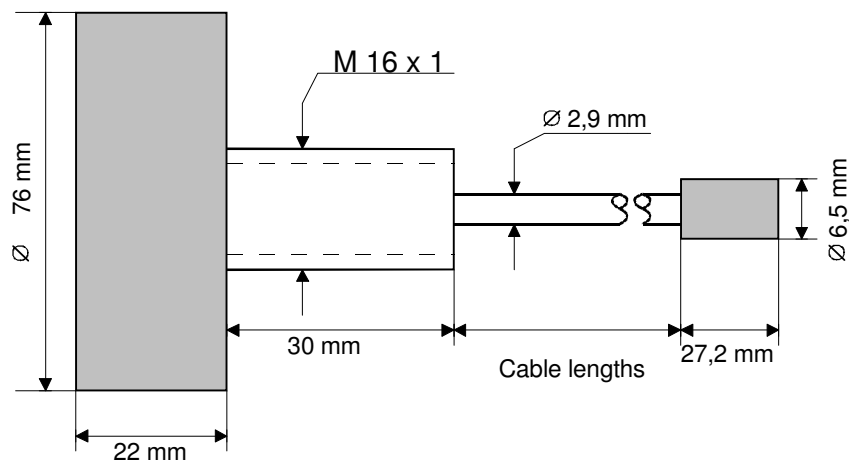
Deviations of the transducer others as given in the introduced standards are possible.

Ordering information

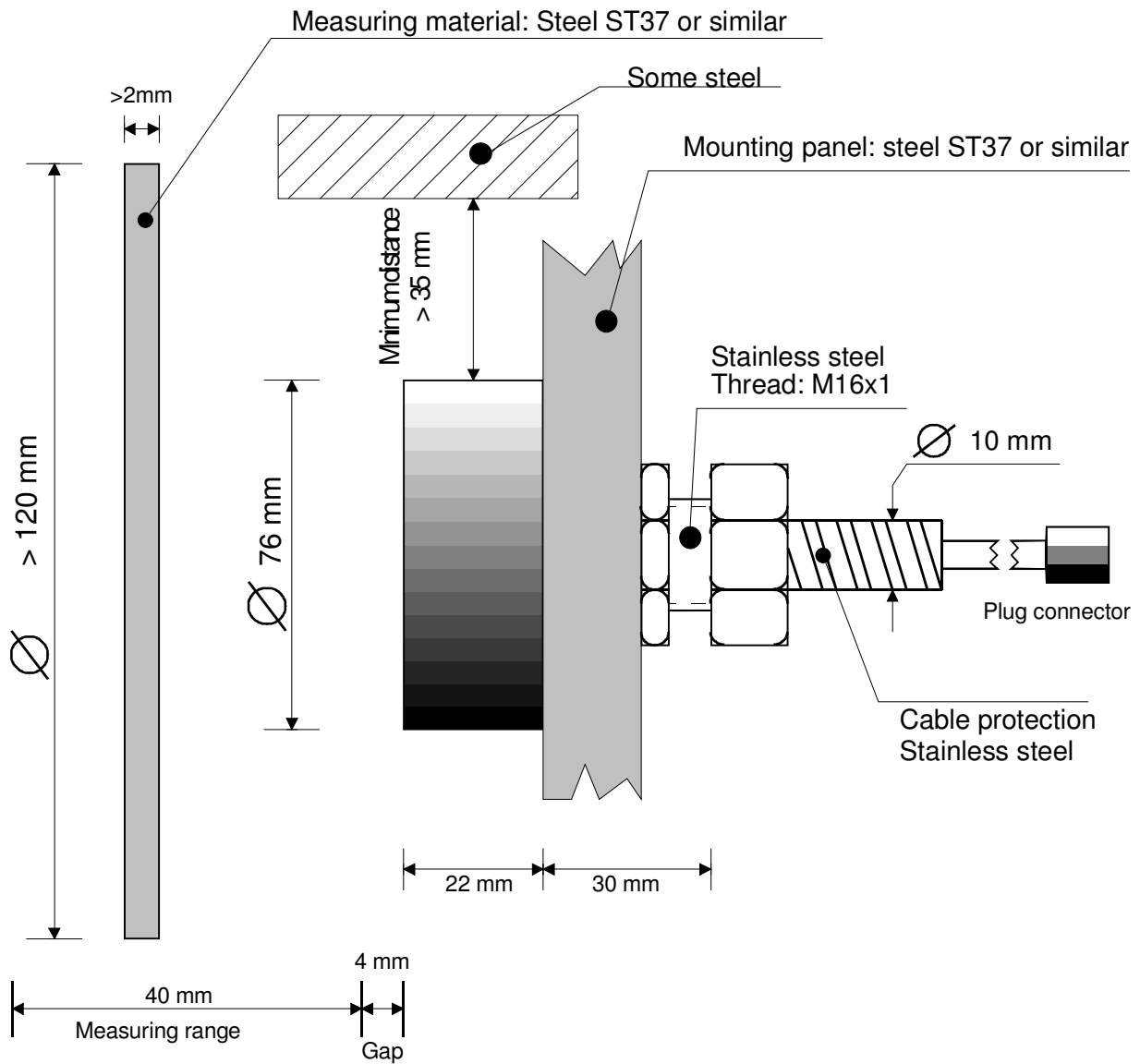
U 22 - **X1** - **X2**

- U 22: Transducertype
- X1: Cable lengths 3 or 6 m
- X2: SP: With stainless steel cable protection
NP: Without cable protection
IMP: With isolated steel cable protection

Drawing



Mounting condition



Sales Offices

Vibro-Meter has offices in over 30 countries. The complete list can be found on our webpage

www.vibro-meter.com

vibro-meter
zertifiziert durch



Your local representative

Vibro-Meter GmbH

Kaiserleistraße 51
D-63067 Offenbach am Main
Deutschland / Germany

Tel. +49 (0) 69 9799050
Fax +49 (0) 69 97990526
E-Mail: info@vibro-meter.de
www.vibro-meter.de

