

Vibro-Meter Vibration Switch

CHARACTERISTICS

- Low cost vibration control
- Vibration velocity
- Simple version
- Easy installation
- 1 Adjustable level detector
- Analog output 4 ... 20 mA
- Aluminum casing



GENERAL

The vibration switch CVS 100 LC allows a low-priced realisation of vibration control for stand-alone machines and auxiliary aggregates (e.g. fans, pumps, centrifuges, mills, gears, etc.), on whose functions important big-installations or process-bounds are depending. Among other things it allows observation according to VDI 2056 and ISO 2372.

Utilized for this are the vibrations of important machine parts (pillow blocks, foundations, casings) covered by rugged velocity feeders in electrical signals and processed and assessed with integrated electronics. This signal- and adjust electronics is fitted together with the velocity feeder into an aluminum casing fitted directly onto the machine to be observe.

An adjustable level detector with eligible response delay is allowing the volt free signaling via a relay.

FUNCTIONAL DISCRPTION

The signal of the velocity feeder is passed via a band-pass filter (10-1000 Hz) and is amplified in an amplifier up to the utilizing required level.

The measuring ranges' selection is made by a jumper. The DC-output signal available after the rectifying is calibrated in RMS. It has an effect on the adjustable level detector, whose response time is set by a jumper either to 1 sec. or to 5 sec. The assigned relay change-over contact enables the signal-circuit assembly (warning).

Measuring direction:	vertical or horizontal (please take into account when ordering)
Amplifier:	AC-amplifier with rectifier and filter
Measuring range:	Velocity: 2, 5, 10, 20, 50 [mm/s] (effective)
Frequency range:	10 Hz ... 1000 Hz
Output signal:	4 ... +20 mA $R_{Last} \leq 500 \Omega$ proportional velocity, calibrated in effective [mm/s]
Level detector:	1 piece, limit adjustable in range of 5 ... 100 % of measuring range end (Fail-Safe function, relay normally energized)
Time delay:	Adjustable 1 sec. or 5 sec.

Relay contact safe load (change-over contact):

Turn-on voltage max.:	150 V _{DC} / 125 V _{AC}
Switching current max.:	1 A
Constant limited current max.:	1 A
Rupturing capacity max.:	30 W / 60 VA

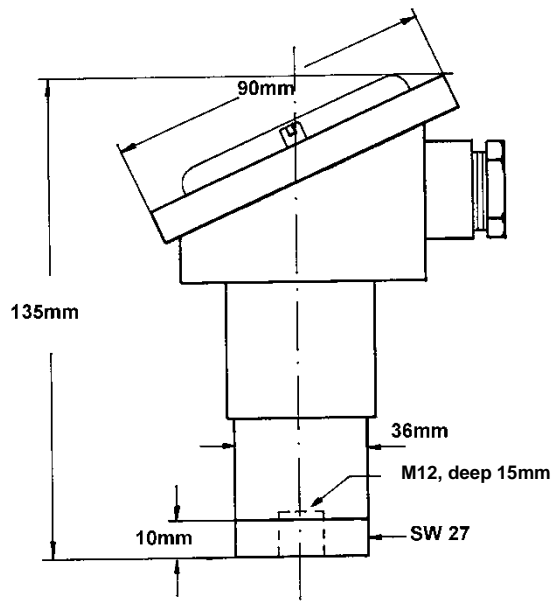
Device data:

Supply:	Voltage: 24 V _{DC} +/-20 % approx. 30 mA no galvanic separation
Temperature range:	-20 ... +70 °C working temperature -30 ... +70 °C storage range
Casing dimensions:	135x90 mm (height x diameter)
Material:	Aluminum AL Si 12/Cu
Mounting:	M12, 15 mm deep, wrench 27, starting torque 10 Nm
Screwed cable gland:	1 pc. M20 x 1,5
Protection class:	IP 55
Weight:	Approx. 0,62 kg

ORDERING INFORMATION

VMD - CVS100- LC – X1

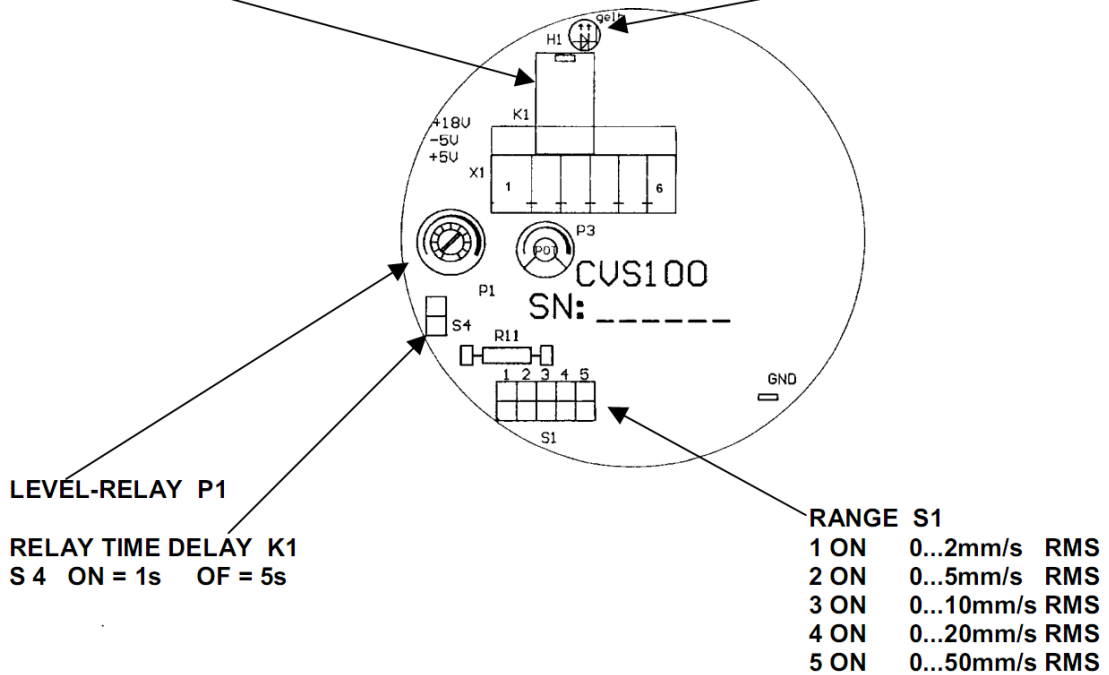
Measuring Direction (X1)	
Horizontal	H
Vertical	V



1	+24 V _{DC}
2	0 V _{DC}
3	Relay K1 NC
4	Relay K1 COM
5	Relay K1 NO
6	Analoge Output 4..20 mA

RELAY K1

LED H1



Subject to change without prior notice.

Sales Offices

The complete list can be found on our webpage
www.meggitt.com

Your local representative

Meggitt GmbH

Kaiserleistraße 51
63067 Offenbach am Main
Deutschland / Germany

Tel. +49 (0) 69 9799050
Fax +49 (0) 69 97990526
E-Mail: info@meggitt.de
www.meggitt.de



MEGGITT
smart engineering for
extreme environments